

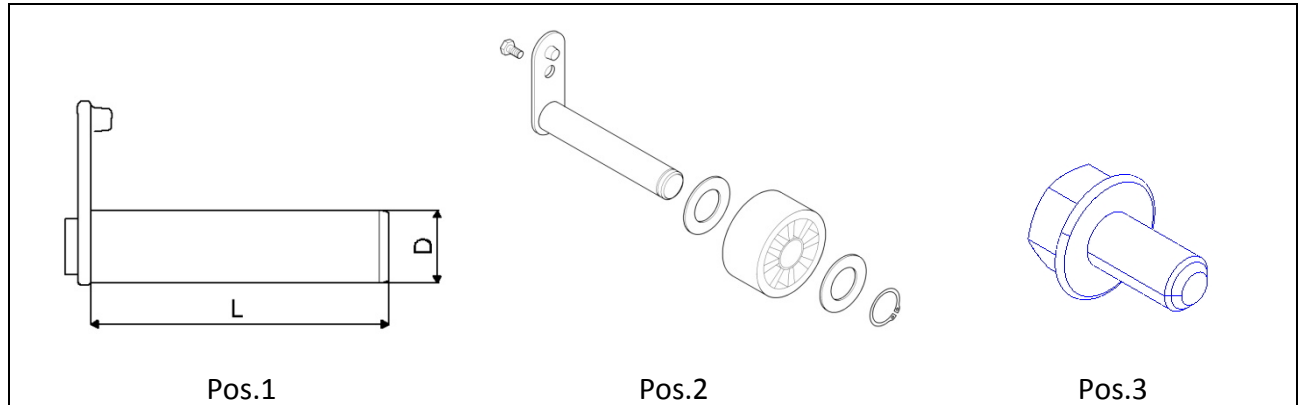


Thema /Topic:

**Bolzensätze,
Jeu de écrous complet,**


**Pin set,
Juego de bulones**

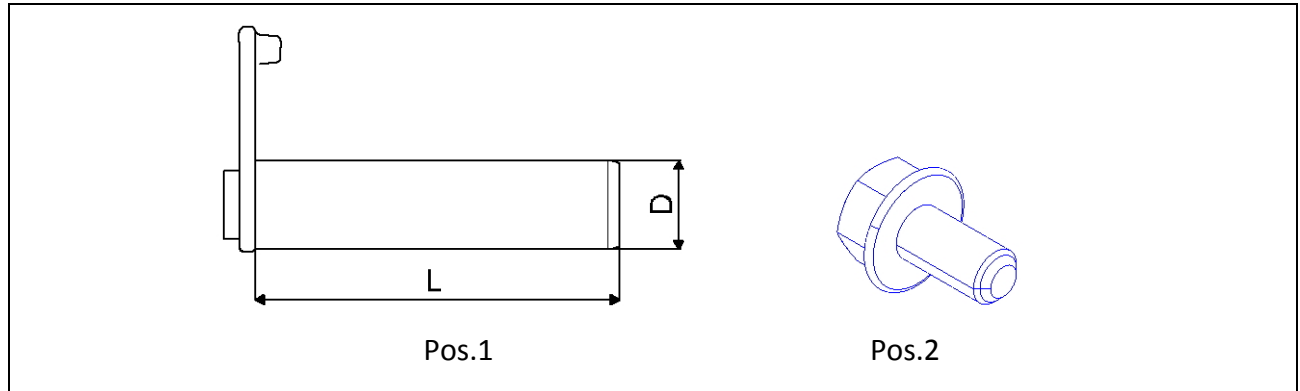
**Nr.:
EETK25/2010**



Bolzensatz, Pin set, Jeu de écrous complet, Juego de bulones mit Bodenrollensatz, with ground roller set, avec kit galetd'usure, con kit de rodillos	Sachnr., Part Nr., Ref., N°-Art.	Inhalt: Content: Capacité: Contenido:			
		Pos.1	Pos.2	Pos.3	Pos.3
3000K	2021582	Ø 40x85mm 2 x 1331371	Ø 50x125mm 2 x 1331380	Ø 40mm 2 x 1348000	M8x16 10x2009212
		Ø 40x145mm 6 x 1329586			
2000K 800-1100	2021583	Ø 40x85mm 2 x 1331371	Ø 36x120mm 2 x 1350858	Ø 36mm 2 x 1358181	M8x16 10x2009212
		Ø 36x81mm 6 x 1350394			
1500K 700 2000K 700	2021584	Ø 36x81mm 2 x 1350394	Ø 36x120mm 2 x 1350858	Ø 36mm 2 x 1358181	M8x16 8 x 2009212
		Ø 40x85mm 2 x 1331371	Ø 36x196mm 2 x 1403348		
1000K	2021585	Ø 28x89mm 6 x 1326307	Ø 28x119mm 2 x 1335280	Ø 28mm 2 x 1354156	M8x16 10 x 2009212
		Ø 36x81mm 2 x 1350394			
750K	2021586	Ø 25x64mm 8 x 1346229	Ø 25x114mm 2 x 1346238	Ø 25mm 2 x 1400927	M8x16 10x2009212

Produced:04.08.2011	Checked: 05.08.2011	Released: 20.07.2012
Name: S. Behnken	Name: F. Tingelhoff	Name: H.Schröder

ServiceneWS		MBB PALFINGER	
Thema /Topic:	Bolzensätze, Jeu de écrous complet,	Pin set, Juego de bulones	Nr.: EETK25/2010



Bolzensatz, Pin set, Jeu de écrous complet, Juego de bulones ohne Bodenrollensatz, without ground roller set, sans kit galet d'usure, sin rodillos	Sachnr., Part Nr., Ref., N°-Art.	Inhalt: Content: Capacité: Contenido:			Pos.1	Pos.2
500-750K, KSP, 1000KL, 1000AQ	1407078	Ø25x64mm 8 x 1346229	Ø25x114mm 4 x 1346238		M8x12 12 x 2015979	
1500-2000 K, KK, KUZ/K	1407079	Ø36x81mm 6 x 1350394	Ø40x85mm 2 x 1331371	Ø36x120mm 4 x 1350858	M8x16 12 x 2009212	
1000K, 1500KL, Alu	1407081	Ø28x89mm 6 x 1326307	Ø36x81mm 2 x 1350394	Ø28x119mm 4 x 1335280	M8x16 12 x 2009212	
1000K, 1500KL, Stahl	1407082	Ø28x89mm 8 x 1326307	Ø36x81mm 2 x 1350394	Ø28x119mm 2 x 1335280	M8x16 12 x 2009212	
1000 Athlet	1407083	Ø36x81mm 2 x 1350394	Ø40x105mm 2 x 1402879	Ø36x120mm 5 x 1350858	M8x16 8 x 2009212	
HFL	1407782	Ø28x58mm 4 x 1129102	Ø28x100mm 4 x 1238277	Ø36x170mm 2 x 1238286	M8x16 14 x 2009212	
		Ø28x115mm 2 x 1227943	Ø28x443mm 2 x 1407655			
500 MINIFIX	2006131	Ø25x82mm 1 x 2004037	Ø28x56mm 2 x 2003652	Ø28x125mm 1 x 2002694	M8x12 8 x 2015979	
		Ø25x64mm 4 x 1346229	Ø28x48mm 1 x 2002695	Ø25x114mm 1 x 1346238		
2000 KUZF-BDF	2008766	Ø36x81mm 2 x 1350394	Ø36x92mm 2 x 1407100	Ø36x105mm 2 x 1409965	M8x16 12 x 2009212	
		Ø36x105mm 4 x 1407046	Ø40x105mm 2 x 1402879			
3000K 3000 KUZ	1407077	Ø40x85mm 2 x 1331371	Ø40x145mm 8 x 1329586	Ø50x125mm 2 x 1331380	M8x16 12 x 2009212	

Produced:04.08.2011	Checked: 05.08.2011	Released: 20.07.2012
Name: S. Behnken	Name: F. Tingelhoff	Name: H.Schröder

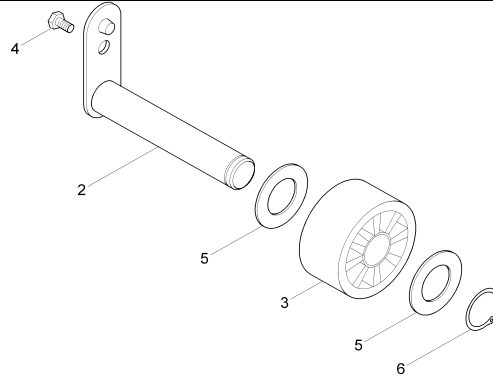


Thema /Topic:

**Bodenrollensätze,
Juego de rodillos,**

**Ground roller set,
Kit galet d'usure**

Nr.:
EETK22/2010



Bodenrollensatz (eine Seite) ground roller set (one side) Juego de rodillos (un lado) Kit galet d'usure (un coté)	Pos.2 Bolzen, Pin, Bulón, Axe	Pos.3 Bodenrolle, roller, Rodillo, Roulette	Pos.4 Sechskant- schraube hexagon screw, tornillo cabeza exagonal, Vis à tête hexagonale	Pos.5 Scheibe, washer, arandela, Bague	Pos.6 Sicherungsring, retaining ring, anillo seguridad, Joint	Zubehör, accessories, accessoires, accesorios	Zubehör, accessories, accessoires, accesorios
1400927	1400928 Ø 25 x 169mm	1217715 Ø 80 x 50 mm	2009212 M8 x 16	2001508	10280003		
2013925	1400928 Ø 25 x 169mm	1217715 Ø 80 x 50 mm	2009212 M8 x 16		10280003		
1278272	1277872 Ø 28 x 155mm	1115195 Ø 100 x 50mm	2009212 M8 x 16	67244770	66681947	2003428 Distanzrohr, distance tube, tubo distanciador, Entretoise	69064337 Kegelschmiernippel, Greacer, lubricador, Graisneur
1115382	1115466 Ø 28 x 168mm	1115195 Ø 100 x 50mm	2009212 M8 x 16	67244770	66681947	69064337	Kegelschmiernippel, Greacer, lubricador Graisneur
1354156	1354169 Ø 28 x 170mm	1115195 Ø 100 x 50mm	2009212 M8 x 16	2001604	66681947		
1405023	1354169 Ø 28 x 170mm	1115195 Ø 100 x 50mm	2009212 M8 x 16	67244770	66681947	2003428	Distanzrohr, distance tube, tubo distanciador, Entretoise
1115408	1115448 Ø 28 x 187mm	1115195 Ø 100 x 50mm	2009212 M8 x 16	67244770	66681947	69064337	Kegelschmiernippel, Greacer, lubricador, Graisneur
1115391	1115457 Ø 36 x 205mm	1111393 Ø 110 x 75mm	2009212 M8 x 16		1111388	69064337	Kegelschmiernippel, Greacer, lubricador, Graisneur
1358181	1358176 Ø 36 x 198mm	1111393 Ø 110 x 75mm	2009212 M8 x 16	1111379	1111388		
1115417	1115439 Ø 36 x 213mm	1111393 Ø 110 x 75mm	2009212 M8 x 16	1111379	1111388	69064337	Kegelschmiernippel, Greacer, lubricador, Graisneur
1115499	1115420 Ø 36 x 222mm	1111393 Ø 110 x 75mm	2009212 M8 x 16	1111379	1111388	69064337	Kegelschmiernippel, Greacer, lubricador, Graisneur
1348000	1329595 Ø 40 x 185mm	1332089	2009212 M8 x 16	66152901	10280062		
Sonderzubehör special accessories		2025944 Ø 150 x 75mm					
accesorio especial accessoire spécial		2025945 Ø 125 x 50mm					

Produced: 09.06.2011

Checked: 09.06.2011

Released: 05.08.2011

Name: H. Schröder

Name: F.Tingelhoff

Name: H. Schröder